

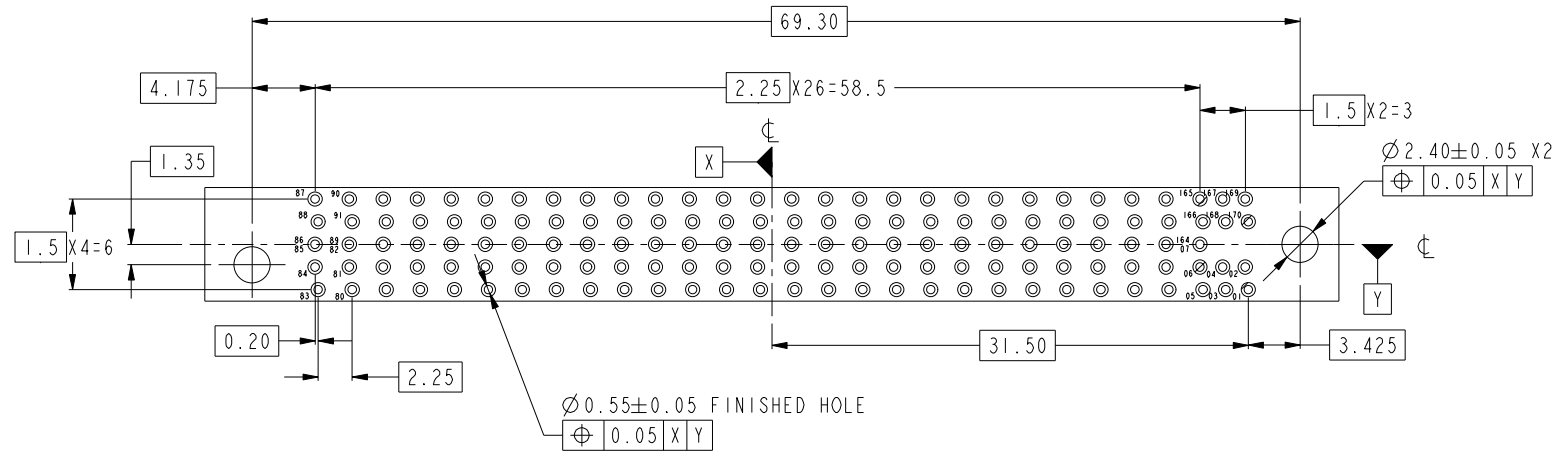
Copyright FCI.

rev	ecn no	dr	date
A	DG07-0107	KS	2007-3-23
B	DG07-0134	KS	2007-4-05
C	DG07-0399	KS	2007-10-09
-	-	-	-
-	-	-	-
-	-	-	-

www.fciconnect.com			surface <input checked="" type="checkbox"/>	tolerance std	projection	MM
			TOLERANCES UNLESS OTHERWISE SPECIFIED			
Dr	Maggie Wu	2006-09-15	ANGULAR	0.X ±0.2	size A4	Scale 1.000
Eng	Eric Wu	2006-09-15	LINEAR	0.XX ±0.1	ECN	*
Chr	Paul Wang	2006-09-15	0° ±5°	0.XXX ±0.08	Spec ref	*
Appr	Joseph Hsia	2006-09-15	Product family			
			PF TYPE CONNECTOR MICRO TCA		dwg no 10058831 Customer	Rev. C sheet 1 of 4

A
B
C
D

1 2 3 4



SCALE 2.000

RECOMMENDED PCB LAYOUT

Copyright FCI.

	title PF TYPE CONNECTOR	dwg no 10058831	Rev. C
	MICRO TCA		
	catalog	PDM: Rev:C	STATUS: Released

1 2 3 4

A

A

B

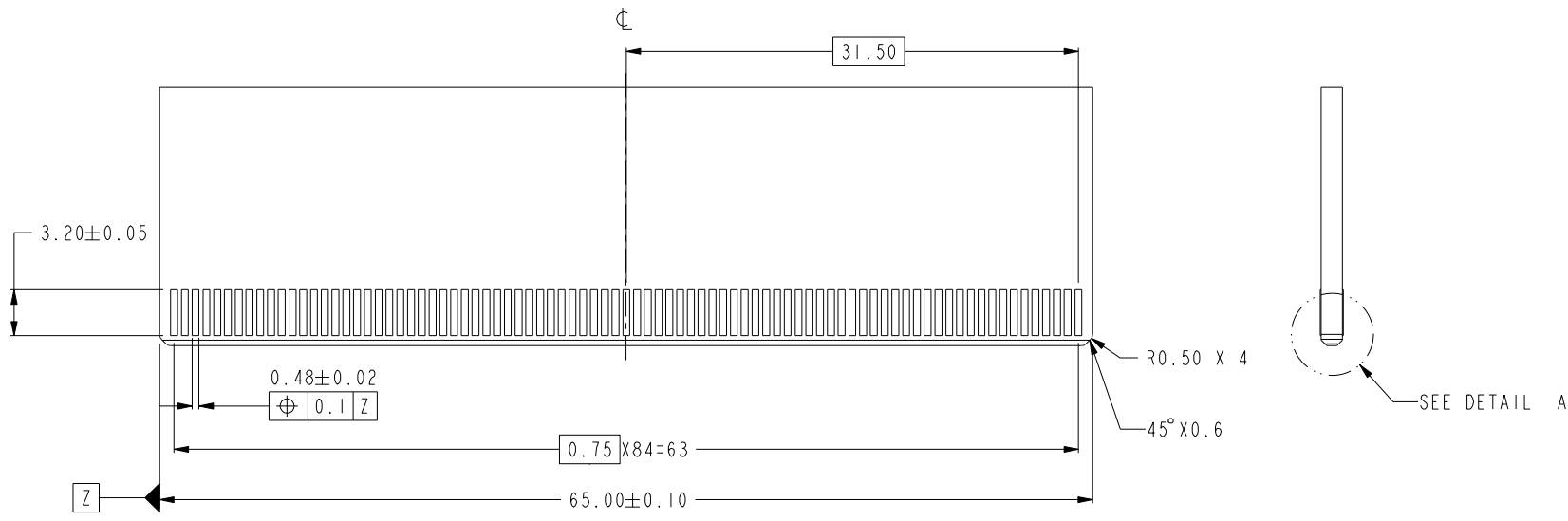
B

C

C

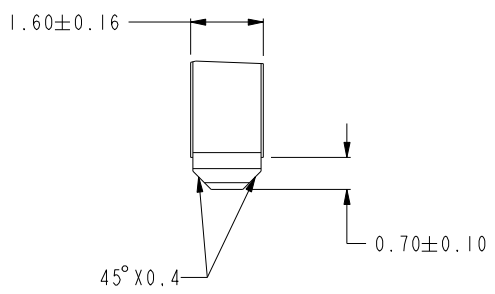
D

D



SCALE 2.000

RECOMMENDED MODULE LAYOUT



DETAIL A
SCALE 6.000

Copyright FCI.

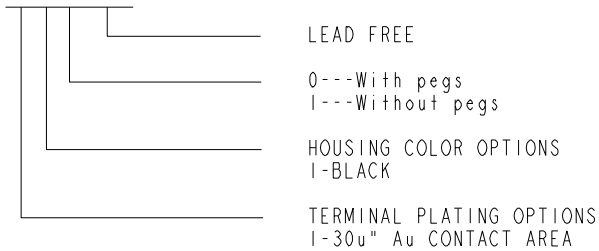
	title PF TYPE CONNECTOR MICRO TCA	dwg no 10058831	Rev. C
	catalog PDM: Rev:C	STATUS Released	Printed: Apr 18, 2008

NOTES:

- MATERIAL:
HOUSING: HIGH TEMPERATURE NYLON, GLASS FILLED UL94V-0
TERMINAL: COPPER ALLOY
- FINISH (LEAD FREE):
TERMINAL: 50u" NICKEL UNDERPLATE
CONTACT AREA: SEE PRODUCT NUMBER CODE
PRESS FIT TAIL: 60u" MIN. Tin OVER 50u" NICKEL.
- THE PRODUCT MEETS PICMG MICROTCA SPECIFICATION AS DESCRIBED IN GS-12-422.

PRODUCT NUMBER CODE

10058831 - X X X L F

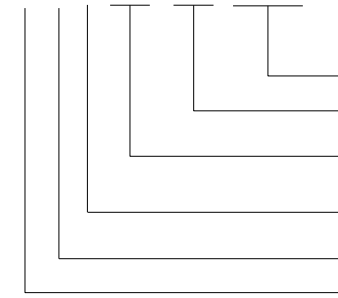


PCB NOTE:

- $\varnothing 0.64 \pm 0.02$ mm DRILLED HOLES, PLATED WITH 0.8um min CHEM. TIN OVER 25um MIN .Cu PLATING TO ACHIEVE $\varnothing 0.55 \pm 0.05$ mm FINISHED HOLES.

5. MARKING INFORMATION:

P X X X X X X X X



- PRODUCTION LINE CODE
- DATE CODE THROUGH 01 TO 31
- WEEK NUMBER 01 THROUGH 53
- YEAR CODE;
MOST RIGHT OF DIGIT OF PRODUCTION.
(e.g 2007=7)
- MANUFACTURE SITE; 2 FOR DONGGUAN
- SOURCE, P FOR CHINA

HEIGHT OF THE MAKING TEST: IMM MIN

Copyright FCI.

	title	PF TYPE CONNECTOR	dwg no	10058831	Rev.	C
	catalog	MICRO TCA	customer	sheet 4 of 4	STATUS: Released Printed: Apr 18, 2008	